

How to Install

EzyTile Interlocking Tiling System

Where to install

EzyTile can be laid over most hard surfaces such as concrete, brick, paving, ceramic or porcelain tiles, asphalt, rubber membranes, plywood, PVC sheeting etc. either indoors or outdoors in protected or unprotected locations. To ensure trouble free installation, resistance to damage and long service life, it is essential that the surface is as smooth and firm as possible with no significant irregularities, bumps or depressions. The underlying surface should also slope slightly to allow water to drain away freely under the tiles.

Calculating how much you'll need

One carton (10 tiles) will cover an area of 10 sq.ft. Additional tiles may be required for cutting to infill any gap that is less than a full tile width if the tiles are to fit flush against boundary walls.

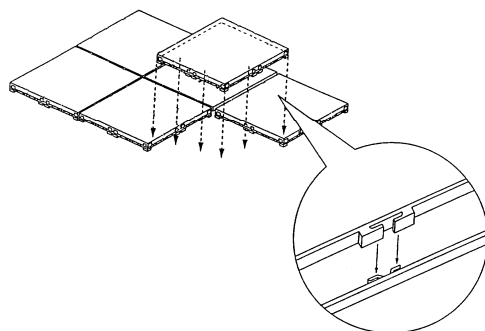
Additional tools required

EzyTile requires no tile adhesives, thin set or any other adhesive products for installation. No grouting products are required as the gaps between the tiles are left open to provide drainage.

A wetsaw may be required if tiles are to be cut to fit around posts or pipes or to trim the outer row of tiles to the required width.

Step by step installation

- Make sure the surface is free from all debris and is as smooth and even as possible.
- Place a single tile in one corner of the area to be covered. Taking a second tile, align the plastic connecting tabs on the outside edges of the tiles to be joined and push down firmly on the second tile close to the connection point. This will engage the tabs and lock the tiles together.
- Continue this process, working in a diagonal direction across your work space, adding tiles until the complete area is covered, ensuring each tile is securely locked to the neighboring tile.
- To fit around pipes, posts or corners, or to fill in gaps less than a full tile width, we suggest one of the three following options:
 - a. using a wetsaw to cut through both the porcelain tile and the plastic base. When cutting irregular shapes, we suggest making a template from a piece of stiff paper or cardboard.
 - b. using our SwiftDeck or LinkDeck interlocking wood tiles in place of any EzyTile tiles which need to be cut. The wood tiles can be easily cut with a handsaw or jigsaw and will interlock perfectly with the EzyTile range.
 - c. filling the gaps with medium sized (e.g. 1" to 1 1/2") river or beach pebbles.
- To provide a smooth transition between the tiles and the base surface at the edge of the outer row of tiles, we suggest using clip on reducer pieces from either our SwiftDeck or LinkDeck interlocking wood deck tile range.



How to clean EzyTile

Brush or wash with water as necessary. Do not use cleaning products containing harsh bleaches or scouring products. Any debris between the tiles can be removed with a vacuum cleaner. The tiles can also be disassembled to clean underneath if required.

Precautions

- Care should be taken to avoid heavy or sharp objects being dropped on the tiles, hammering on the tiles or excessive pressure being exerted by sharp objects on the edges of the tiles.
- Legs of metal chairs or tables should be protected with rubber "feet" if placed directly on the tiled surface.
- If any tile becomes damaged or broken, the tile should be removed immediately to avoid possible injury.
- Whilst the tiles are designed to eliminate pools of water, care should be taken when walking on the tiles in wet weather as they could be slippery under certain conditions.

For any additional help or questions regarding installation of EzyTile call 1 866 206 8316